

OLEO INTERNATIONAL

Grovelands
Longford Road
Exhall
Coventry
United Kingdom
CV7 9NE
E sales@oleo.co.uk
T +44 (0)24 7664 5555
F +44 (0)24 7664 5900
W oleo.co.uk

OLEO BUFFERS SHANGHAI COMPANY LTD

Plant A15
No. 3802 Shengang Road
Songjiang
Shanghai
E sales@oleo.cn
T +86 21 6776 0688
F +86 21 6776 0689
W oleo.cn

OLEO INC.

Agility ATL
3505 Naturally Fresh Boulevard
Atlanta GA 30349
United States of America
E sales@oleoinc.com
F 404-806-3698
W oleoinc.com

OLEO BUFFERS INDIA PVT. LTD.

Plot No. 32 and 33
KIADB Hi-Tech Hardware Park
7th Main Road
Mahadevakodigehalli
Bengaluru
Karnataka - 562149
India
E indiasales@oleo.co.uk
T +91 961 132 8249
W oleo.co.in

OLEO INTERNATIONAL GMBH

Hildesheimerstr. 3
31188 Holle/Grasdorf
E sales@oleo.com.de
T +49 (0) 5062 9657 - 635
F +49 (0) 5062 9657 - 638
W oleo.com.de



ELEVATOR

Safety Buffers

Oleo International is a division of T A Savery and Co Limited, whose ultimate parent is Brigam Limited. T A Savery and Co Limited is a company incorporated in England and Wales under company number 00272170 and whose registered office is at Grovelands, Longford Road, Exhall, Coventry, CV7 9NE, UK

Issue 2 - July 2018



Official Website



Brochure



Keeping People Safe

Oleo leads the world in energy absorption in many critical applications, often as the last line of protection for people and equipment.

Every day millions of people around the world rely on Oleo to provide their safety.

It is our responsibility to ensure all international standards for the industries we supply are adhered to, but we strive for more than that – to enable our partners to provide the safest energy absorption solutions remains a core principle.

Our mission is clearly and simply to keep people safe.



The Elevator Industry

The elevator industry is constantly developing all over the world, from small passenger lifts to high mass freight elevators, low speed applications covering a few floors to ultra high speed systems moving swiftly to the penthouse.

Elevators form the core of the transport system for many modern structures and with building sizes and passenger volumes increasing, the need for elevators to handle more people, travelling over increasing distances and moving at higher speeds, whilst ensuring safety is maintained at the highest levels has never been greater.

Oleo elevator buffers are designed to protect people and equipment from forces generated by an impact resulting from equipment failure or operator error.

Irrespective of your requirements, Oleo has a complete range of globally certified buffers to suit elevators operating with wide mass ranges at almost any speed. By choosing Oleo, your elevator system can benefit from ultimate protection with buffers that offer lightweight construction, extreme durability and minimum life-cycle costs.



OLEO TEST TOWER,
UK HEADQUARTERS



Research and Development

Our purpose is to provide the highest levels of protection in order to keep people safe. We pride ourselves on being innovative in response to both industry standards and customer demands. Continuous investment in research and development, state of the art technology and modern manufacturing processes has made Oleo leading experts in energy absorption.

All buffers are tested and validated internally prior to obtaining accreditation from the relevant standards authorities. Our independent test facility is accredited to ISO 17025 and offers state of the art test rigs and diagnostic equipment to ensure the most accurate performance data is obtained during arduous test programmes.



ELEVATOR SIMULATION TOOL



Simulation

Complex mathematical algorithms developed by our dedicated simulations team are used in combination with FEA modelling and CFD software enabling Oleo to develop products with optimised performance characteristics that ensure maximum passenger safety. Moreover, our ability to simulate buffer performance in conjunction with other elevator components allows us to work closely with elevator manufacturers to ensure the ultimate level of protection for equipment and passengers.



DESIGN AND ANALYSIS



Consultancy

Consultancy is a growing part of our business. We regularly undertake projects to produce bespoke energy absorption solutions for customers including design, analysis and testing services.

Our experience, simulation and test facilities enable Oleo to offer partnership opportunities for elevator manufacturers who wish to benefit from our profound knowledge and expertise.



GLOBAL PRESENCE, LOCAL SUPPORT



Global Presence

The elevator industry is a global business, but a local presence is required to ensure the highest levels of customer satisfaction and reduce the total elevator cost.

Oleo has manufacturing sites and distribution centres in various strategic locations around the world to ensure products are available quickly and at competitive prices.



WORLDWIDE COMPLIANCE



Global Certification

Documentation and certification form an important part of customers' requirements in the elevator industry. To make life simple Oleo products are available with all the necessary documents required to ensure a smooth transition from order to installation.

For applications in Europe, North America, China, Russia or Korea, Oleo can offer certified products to meet your needs.



EASY, ONLINE ORDERING



E-commerce

Convenience at your fingertips – placing orders for elevator buffers has never been easier!

Our online configurator allows the selection of the ideal unit to suit your requirements and the ability to purchase buffers with a quick delivery.



Oleo Buffer Performance

The minimum stroke for an elevator buffer is specified (within EN81-20 and ASME A17.1), as the necessary distance to bring an impacting mass, travelling at 115% of the buffer's rated speed, to rest with a uniform deceleration of 1g. However, this is only true if the buffer exerts a constant retardation force over its entire stroke.

A hydraulic buffer can be designed to closely match this idealised performance. This is achieved by precise control of hydraulic oil flow across an orifice throughout the buffer stroke. However, this can only be achieved for one specific impact mass. The same

performance is not achievable for the range of elevator masses that are encountered in the real world where the elevator car mass varies with passenger load.

In the elevator application, where there is a need to protect passenger safety, it is important to try to minimise the deceleration experienced during stopping. This can be easily resolved when the elevator is fully loaded but at low loads the same retardation force will slow the elevator more quickly and therefore initially result in higher deceleration for the passenger.

KEEPING PEOPLE SAFE

Elevator Safety

Elevator buffers are safety devices which are required to be mounted at the base of an elevator shaft underneath the elevator car or counterweight. As with any safety device, elevator buffers have to meet detailed specifications in order to satisfy international standards.

Since the very early days of elevators, a variety of safety systems have been employed to ensure that the elevator will not free fall. The purpose of elevator buffers is to provide protection against the malfunction of an elevator control system resulting in the lift continuing to travel past the lowest stop to the base of the elevator shaft.

The most important aspect of the global standards is the manner in which the buffers must bring an impacting elevator car to rest. There are differences between the various technical standards however all employ the same basic performance criteria.

Although freefall is not a realistic event for an elevator, the specification and code requirements are based on the assumption of freefall as this is worst case scenario.

Our hydraulic buffers are classified as 'energy dissipation buffers' and they dissipate the energy from an impact in the form of heat during the travel of the buffer. This type of buffer can be used for all rated speeds, but are generally used for speeds of 1.0m/s or over.

The buffers are specified for installation in accordance with the rated speed and mass of the elevator.

Buffer performance criteria - energy dissipation buffers

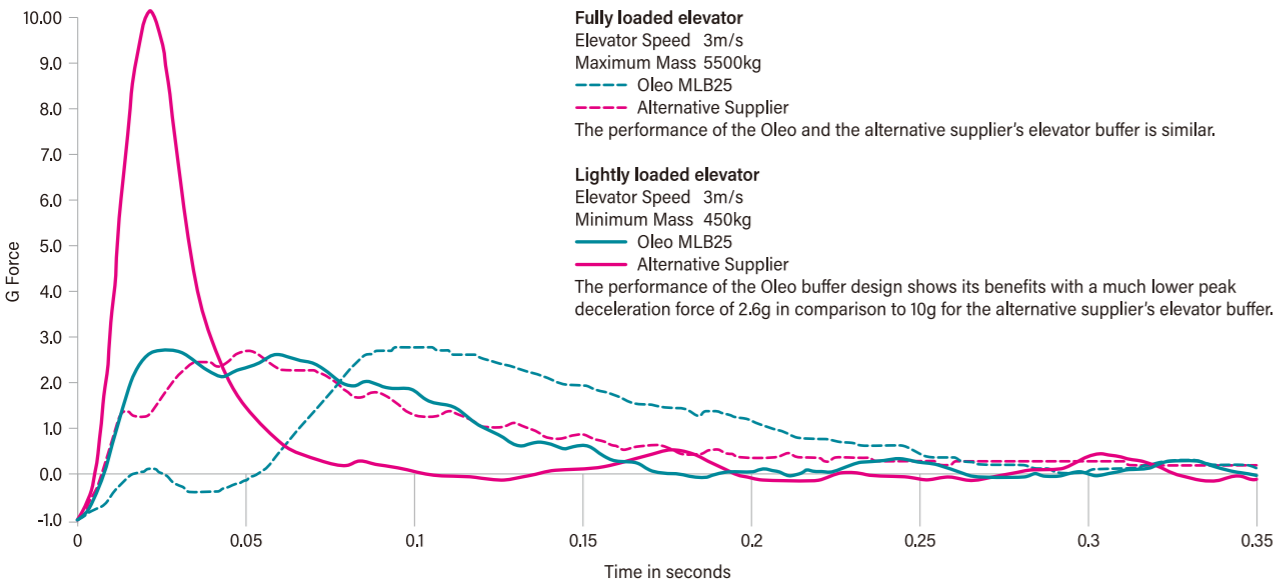
Performance criteria in all the standards is governed by two underlying rules which state that the buffer must arrest a freefalling mass travelling at 115% of the rated speed of the elevator:

- With an average deceleration not exceeding 1g.
- Without exceeding a deceleration of 2.5g for a time period greater than 0.04 seconds.

A further requirement states that the buffer stroke must be at least as great as the free fall distance required to reach 115% of the rated elevator velocity. It is this requirement that dictates the stroke and subsequently the installation height of elevator buffers. Due to customer demands, Oleo elevator buffers do not deviate far from the minimum stroke requirement.



THE BURJ KHALIFA TOWERS OVER DOWNTOWN DUBAI



The graph above compares test data from two hydraulic buffers that both meet the elevator code specification requirement being used to stop an elevator car travelling at 3m/s. This shows the g-force that will be experienced by passengers travelling in fully and lightly loaded conditions.

Oleo units incorporate special metering designs that allow the energy to be dissipated in a controlled fashion.

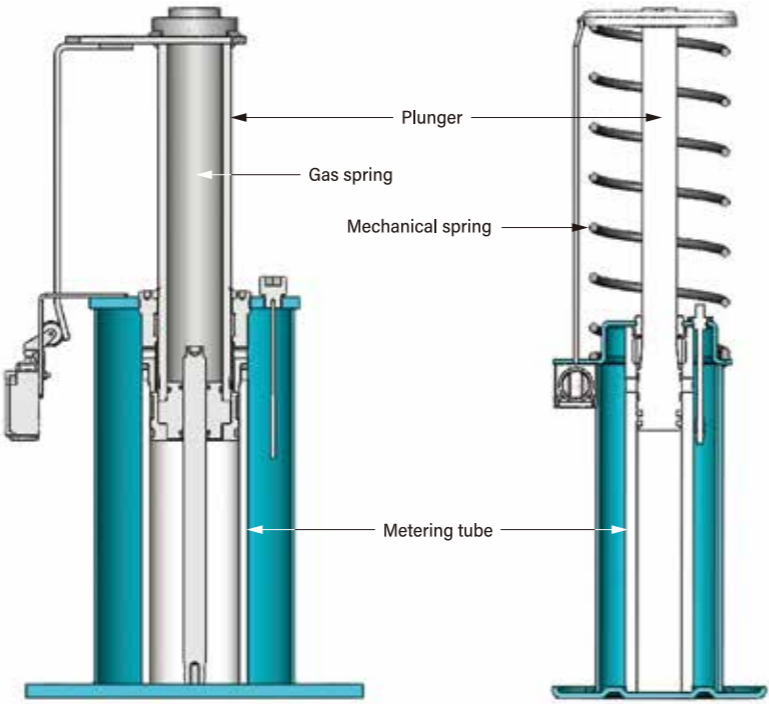
In both load conditions both buffers keep the average deceleration below 1g and do not allow 2.5g for more than 40 milliseconds and therefore are both fully compliant with elevator code specification requirements.

The limiting of peak deceleration force is not required by any elevator code or industry specification.

Alternative buffers achieve the average 1g criterion by an initial period of high deceleration followed by extending the final stages as the elevator is coming to rest. The other key elevator buffer specification requires that passengers do not experience more than 2.5g for more than 40 milliseconds but within this period g-forces are not limited (for energy dissipation buffers). However, as illustrated above, in certain conditions

very high instantaneous g-forces occur and the effects on elevator passengers are unproven.

Oleo has an overall passenger safety aware approach and seeks to avoid the passenger discomfort that may arise from instantaneous deceleration that may even exceed 10g in some circumstances. Many years of in-house testing and the development of mathematical algorithms that accurately simulate the performance of hydraulic buffers enable Oleo to provide buffers with unsurpassed energy absorption performance.



Oleo refine the metering design to ensure energy is absorbed evenly through an impact.

Express Elevators

With buildings getting ever taller, express elevators are in increasing demand. These elevators are designed to move people quickly from the ground floor directly to the sky lobby, observation deck or penthouse apartment.

In recent years the industry has seen huge leaps in the velocity of these elevators and Oleo has been involved in enabling this trend by offering ultra high speed, telescopic buffer technology.





Passenger Elevators

Passenger elevators are commonly found in low rise residential buildings, normally operating at low speed with low passenger loads.

Elevators operating in residential buildings often transport very few passengers meaning the performance of the safety devices at low mass is critical. We design our buffers around the concept of protecting the equipment in an emergency situation, irrespective of mass, keeping g-forces to a minimum and ensuring optimum passenger safety.



TYPICAL PASSENGER ELEVATOR



Freight/Service Elevators

Freight elevators are typically heavy duty elevators, designed for very high masses, meaning they are strong in structure, moving at slow speed. Primarily these elevators are used in commercial buildings including offices, retail, hotel, public transportation and airport facilities.

Oleo elevator buffers are employed as safety devices to limit the damage to stock and freight being carried in these elevators, should there be a system malfunction or failure.



SERVICE ELEVATOR IN A HOTEL



Commercial Elevators



A TYPICAL COMMERCIAL ELEVATOR

Service elevators are primarily found in commercial buildings such as office and mixed use structures, industrial and large residential buildings.

They are similar in design to passenger elevators with regard to ride comfort but need to operate at higher capacities and often faster speeds. Service elevators can have more than one elevator car working in a single shaft to improve people flow through a large building, thus increasing the working mass of a single shaft.

Shopping malls, airports, stadiums, office blocks and convention centres are all typical locations to find service elevators, where it is essential to move large amounts of people quickly and efficiently.

Oleo has a full range of buffers covering all the speed and load requirements of service elevators.



Vehicle Elevators



AUTOMATED CAR PARKING SYSTEM

Vehicle elevators are fast becoming a popular choice in heavily populated areas and high end residential complexes.

The lifts are designed to move vehicles safely and efficiently. Once again, due to the potential masses and speeds involved, Oleo buffers are often considered the ideal choice for this application.

For years Oleo has offered the ultimate protection for elevator passengers and we now do the same for their prize possessions!



Modernisation

After many years in operation your elevator may require replacing or modernising. This can be a challenging process to install a new elevator system which has to satisfy the latest legal requirements whilst increasing carrying capacity, and improving comfort and efficiency at higher speeds.

Oleo can help you by offering solutions to replace your current buffers in order to allow improved speed and capacity of the lifts, helping the end customer to increase the efficiency of people flow in their building.



UPGRADES AND REFURBISHMENT



Special Applications



INDUSTRIAL APPLICATIONS

There are, of course, many other applications where external or non-standard requirements have to be considered and these have a significant bearing on the design and potential performance of the buffer. Some examples of special applications include amusement rides, outdoor industrial applications, marine vessels and the mining industry.



MARINE VESSELS

Oleo is also able to customise designs in order to meet extremely aggressive service conditions. Examples include the "explosion-proof" and "outdoor" specifications which are both non-standard buffers that incorporate specially customised parts in order to meet the demands of their intended application.

Range Overview

Buffer unit	Rated Speed	Max Speed (115%)	Reduced Stroke ASME A17.1 EN81-20	Stroke (min)	Impact mass range		Height (extended) m	Weight no oil (dry) Kg	oil volume Litres
					Kg				
					m/s	m/s	m/s	m	Min.
LSB 10	1.000	1.150	1.470	0.0734	380	3250	0.2222	3.529	0.45
LSB 16	1.600	1.840	2.270	0.1735	450	3250	0.4900	6.565	0.88
LSB 18	1.800	2.070	2.550	0.2195	450	3250	0.5800	7.482	1.03
LSB 20	2.030	2.335	2.870	0.2798	600	3250	0.7738	9.000	0.62
LSB 25	2.540	2.921	3.590	0.4365	600	3250	1.1575	11.30	0.96
LT 20	2.030	2.335	2.870	0.2798	900	3250	0.7738	9.000	0.62
LT 25	2.540	2.921	3.590	0.4365	900	3250	1.1575	11.30	0.96
SEB 16	1.600	1.840	2.260	0.1730	450	4545	0.5400	11.78	1.45
SEB 18	1.800	2.070	2.540	0.2190	450	4545	0.6430	13.26	1.77
SEB 20	2.032	2.337	2.870	0.2790	450	4545	0.7770	15.28	2.20
SEB 25	2.540	2.920	3.590	0.4350	450	4545	1.1260	20.45	3.30
MLB 13	1.300	1.495	1.880	0.1213	450	5500	0.4103	9.2810	1.02
MLB 16	1.600	1.840	2.260	0.1743	450	5500	0.5323	11.15	1.41
MLB 18	1.800	2.070	2.540	0.2203	450	5500	0.6343	12.67	1.74
MLB 20	2.030	2.335	2.870	0.2803	450	5500	0.7823	15.02	2.18
MLB 25	2.540	2.921	3.590	0.4363	450	5500	1.1643	21.05	3.32
MLB 32	3.150	3.623	5.490	0.6803	450	5500	1.7305	29.72	5.19
MLB 35	3.560	4.094	6.260	0.8809	600	5500	2.1079	61.45	19.50
MLB 40	4.060	4.669	7.120	1.1409	600	5500	2.6929	75.66	25.00
LB 16	1.600	1.840	2.450	0.2032	500	8330	0.6166	25.54	4.62
LB 18	1.800	2.070	2.710	0.2489	500	8330	0.7229	28.12	5.58
LB 20	2.032	2.337	2.980	0.2999	500	8330	0.8389	30.96	6.64
LB 25	2.540	2.920	4.530	0.4619	500	8330	1.2109	40.14	10.00
LB 32	3.150	3.623	5.570	0.6989	700	8330	1.7059	54.93	20.00
LB 35	3.560	4.094	6.260	0.8809	1000	8330	2.1079	65.46	24.50
LB 40	4.064	4.674	7.120	1.1409	1000	8330	2.6929	80.69	31.50
LB 50	5.080	5.842	8.850	1.7410	1500	7500	4.2144	202.6	27.80
LB 55	5.588	6.426	9.730	2.1100	1250	7500	5.0374	235.2	33.30
LB 60	6.096	7.010	10.590	2.5050	1500	10000	6.1960	458.1	73.00
HSL 58	5.850	6.728	10.220	2.3420	4000	10000	4.9655	779.0	98.00
HSL 72	7.250	8.338	12.740	3.6448	4000	10000	7.4147	1249.0	144.00
HSL 87	8.700	10.005	15.210	5.1920	4000	10000	10.2950	1450.0	207.00
HSL 101	10.100	11.615	17.650	6.9730	5000	8000	12.5700	3000.0	275.00
HSL 115	11.550	13.283	20.230	9.1264	5500	8000	14.9190	3497.0	490.00

A COMPLETE RANGE OF ELEVATOR BUFFERS FOR EVERY APPLICATION

While we have made every effort to ensure that the information in this brochure is up to date and accurate, we do not accept responsibility for your reliance on the information contained herein. All products are subject to availability and may be withdrawn without prior notice.

Approved emergency terminal slow down devices in accordance with the local code requirements must be correctly installed before reduced stroke can only be applied. Reduced stroke values provided in this brochure are for reference only. Oleo International are not responsible for the incorrect application of reduced stroke. Local rules must be checked before applying. Reduced stroke: Rated speed with terminal speed limiting device, based on EN81-20 rule 5.8.2.2.2 and ASME A17.1 rule 2.22.4.1.2.



LSB Series

The LSB range incorporates a mechanical return spring with proven oil dissipation technology to ensure a reliable safety solution for low speed, low mass passenger elevators.

The buffers are designed and manufactured according to strict engineering standards and are universally approved and globally certified.

Our LSB units are smaller and weigh considerably less than many alternatives and they can be supplied oil filled which reduces the cost of logistics, saves time and reduces the risk of errors during installation.

Product features

- Quick & Easy installation
- Energy dissipation buffer
- Minimum G-force experience (increased passenger protection)
- Lowest possible compressed height for specified mass range
- Globally certified to EN81-20/50, ASME17.1, GB7588, EAC, KC
- Fully compliant with lift directive 2014/33/EU
- Wide mass range 380-3250 Kg
- Self contained, maintenance free (except statutory inspections) unit
- Lightweight
- Mechanical spring return
- All supporting documentation available online



Model	LSB 10	LSB 16	LSB 18	LSB 20	LSB 25
Rated speed m/s	1.000	1.600	1.800	2.030	2.540
Impact mass range kg	380-3250	450-3250	450-3250	600-3250	600-3250

- Passenger
- Express
- Commercial
- Modernisation
- Freight
- Vehicle
- Special Applications

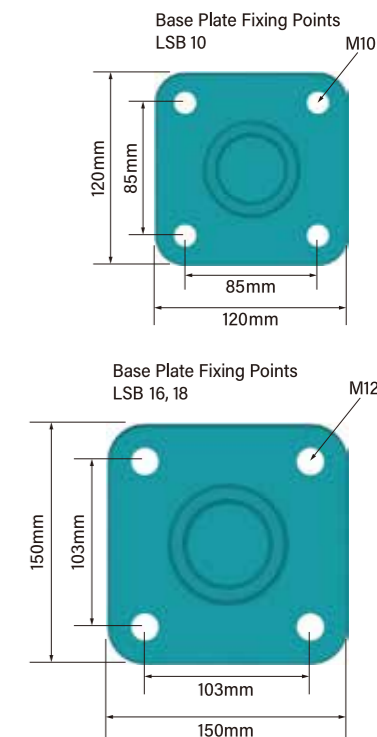


LSB Series



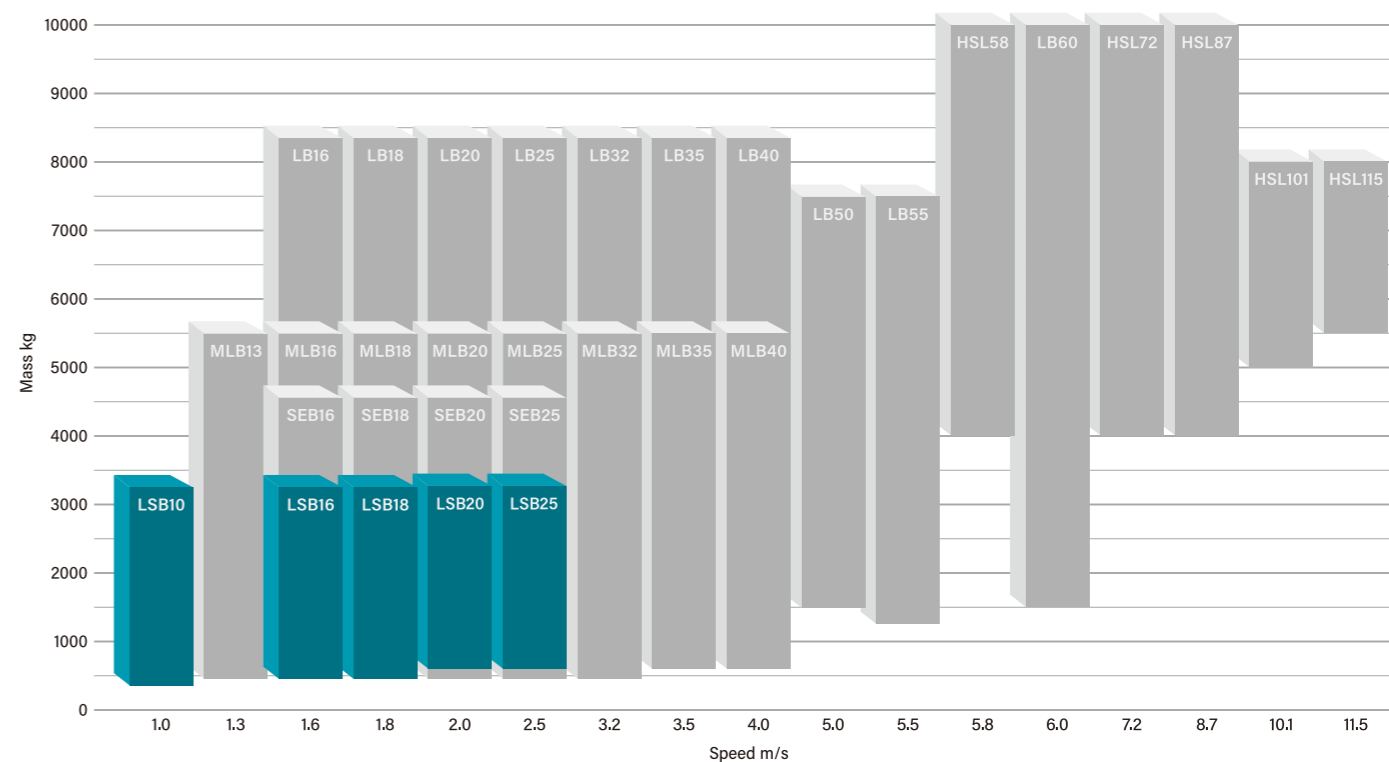
Model	LSB 10	LSB 16	LSB 18	LSB 20	LSB 25
Stroke 'S' (min.) m	0.0734	0.1735	0.2195	0.2798	0.4365
Height 'H' max. (extended)** m	0.2222	0.4855	0.5775	0.7738	1.1575
Height 'C' min. (compressed)** m	0.1459	0.3069	0.3529	0.4902	0.7172
Weight no oil (dry) Kg	3.529	6.565	7.482	9.000	11.30
Oil volume Litres	0.45	0.88	1.03	0.62	0.96

**The max and min figures provided take account of the extremes of the tolerance to provide absolute maximum and absolute minimum dimensions.



*Buffer design may vary across range from pictured

Range Overview



The LT range incorporates a mechanical return spring with proven oil dissipation technology to ensure a reliable safety solution for medium speed, low mass passenger elevators.

The buffers are designed and manufactured according to strict engineering principles and are certified to EN81 and GB standards.

Our LT buffers are smaller and weigh considerably less than many alternatives and they can be supplied oil filled which reduces the cost of logistics, saves time and reduces the risk of errors during installation.

Product features

- Quick & Easy installation
- Energy dissipation buffer
- Minimum G-force experience (increased passenger protection)
- Certified to EN81-20/50 and GB7588
- Fully compliant with lift directive 2014/33/EU
- Wide mass range 900 - 3250 kg
- Self contained, maintenance free (except statutory inspections) unit
- Mechanical spring return
- All supporting documentation available online

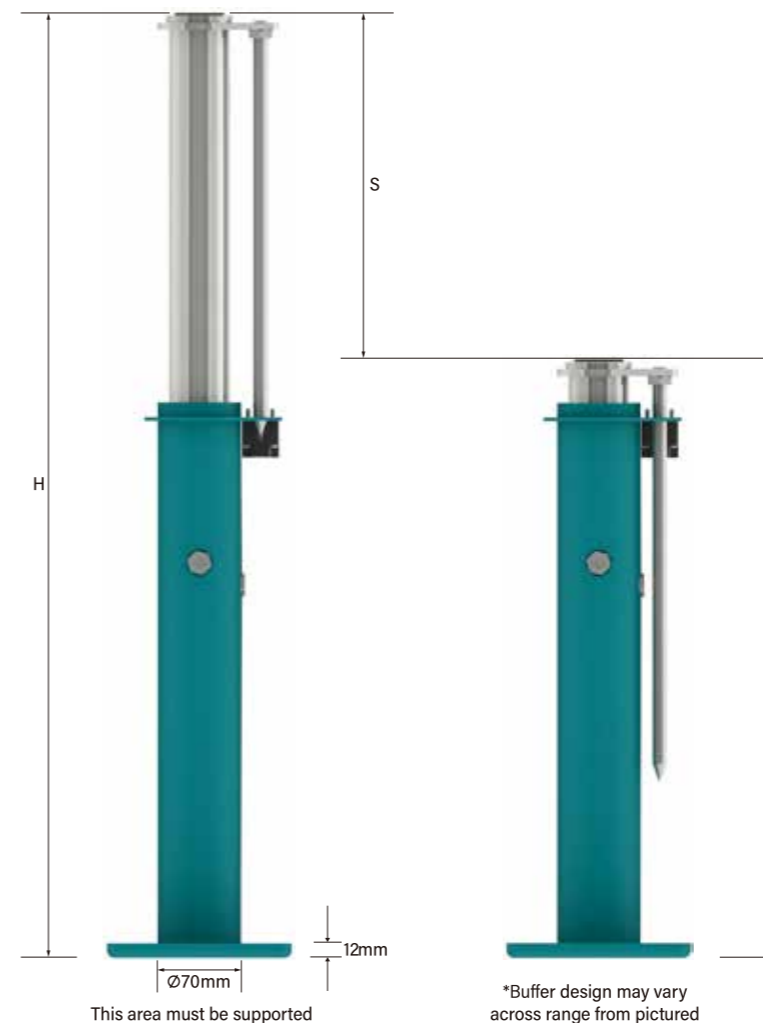


Model		LT 20	LT 25
Rated speed	m/s	2.030	2.540
Impact mass range	Kg	900-3250	900-3250

- Passenger**
- Express
- Commercial**
- Modernisation
- Freight
- Vehicle
- Special Applications



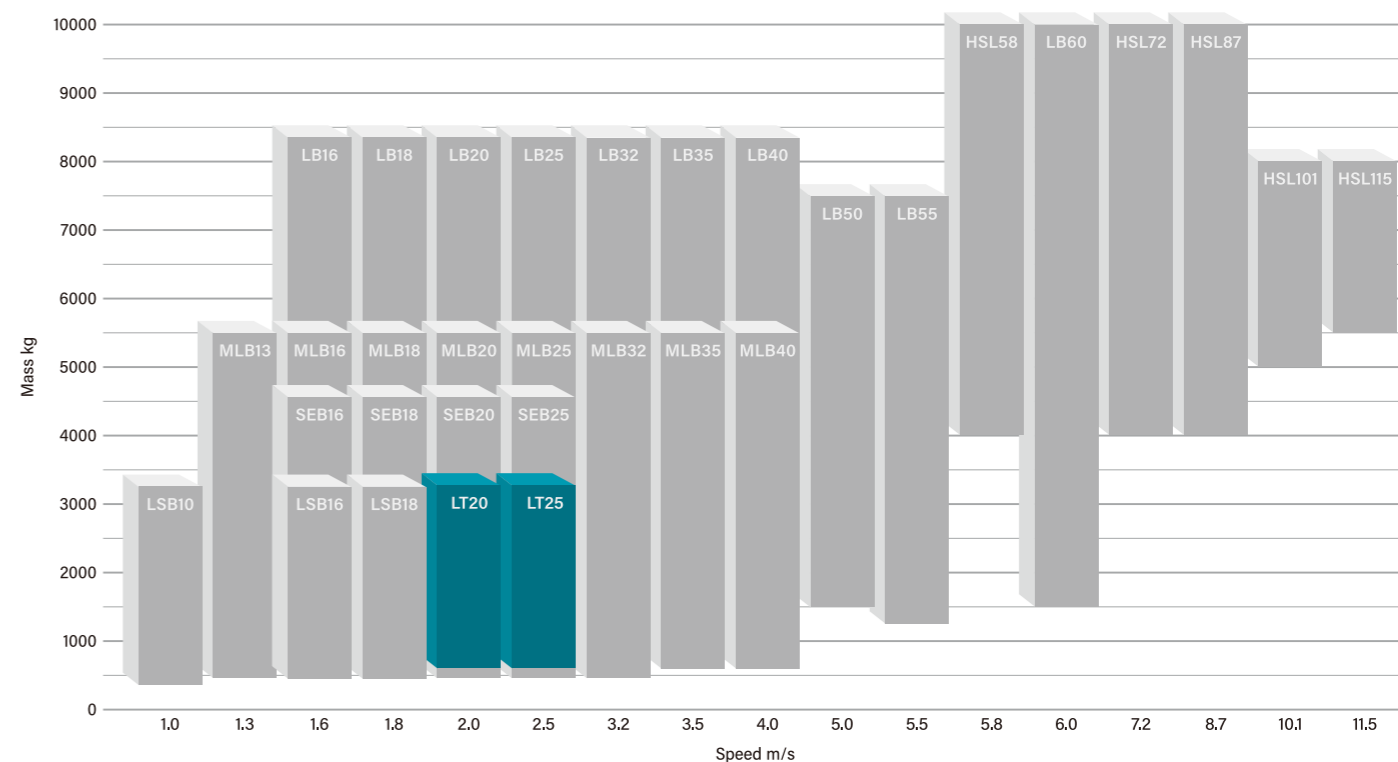
LT Series



Model		LT 20	LT 25
Stroke 'S' (min.)	m	0.2798	0.4365
Height 'H' max. (extended)**	m	0.7738	1.1575
Height 'C' min. (compressed)**	m	0.4902	0.7172
Weight no oil (dry)	Kg	9.000	11.30
Oil volume	Litres	0.62	0.96

**The max and min figures provided take account of the extremes of the tolerance to provide absolute maximum and absolute minimum dimensions.

Range Overview





SEB Series

SEB buffers incorporate gas spring technology to provide a premium and robust passenger safety solution for slow to medium speed elevators.

The units are designed and manufactured according to strict engineering principles and are universally approved and globally certified.

SEB buffers can be shipped in a compressed condition which saves space and reduces transportation costs. The units can also be supplied oil filled which saves time and reduces the risk of errors during installation.

Product features

- Quick & Easy installation
- Energy dissipation buffer
- Minimum G-force experience (increased passenger protection)
- Lowest possible compressed height for specified mass range
- Smallest space envelope possible
- Reduced weight means that shipping costs are significantly lower
- Globally certified to EN81-20/50, ASME17.1, GB7588, EAC, KC
- Fully compliant with lift directive 2014/33/EU
- Wide mass range 450-4545 Kg
- Self contained, maintenance free (except statutory inspections) unit
- Gas spring return
- All supporting documentation available online



Model		SEB 16	SEB 18	SEB 20	SEB 25
Rated speed	m/s	1.600	1.800	2.032	2.540
Impact mass range	kg	450-4545	450-4545	450-4545	450-4545

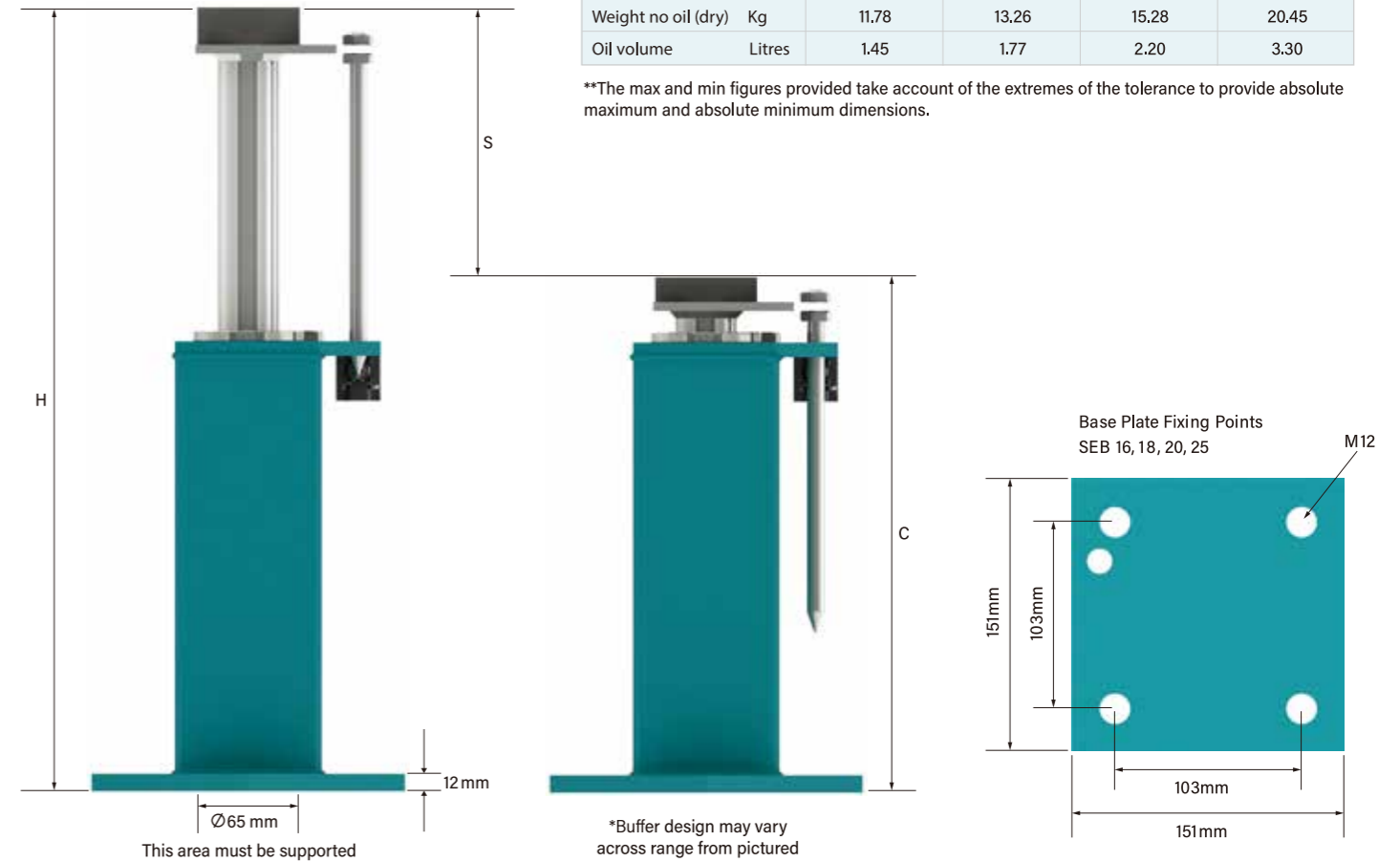
- Passenger
- Express
- Commercial
- Modernisation
- Freight
- Vehicle
- Special Applications



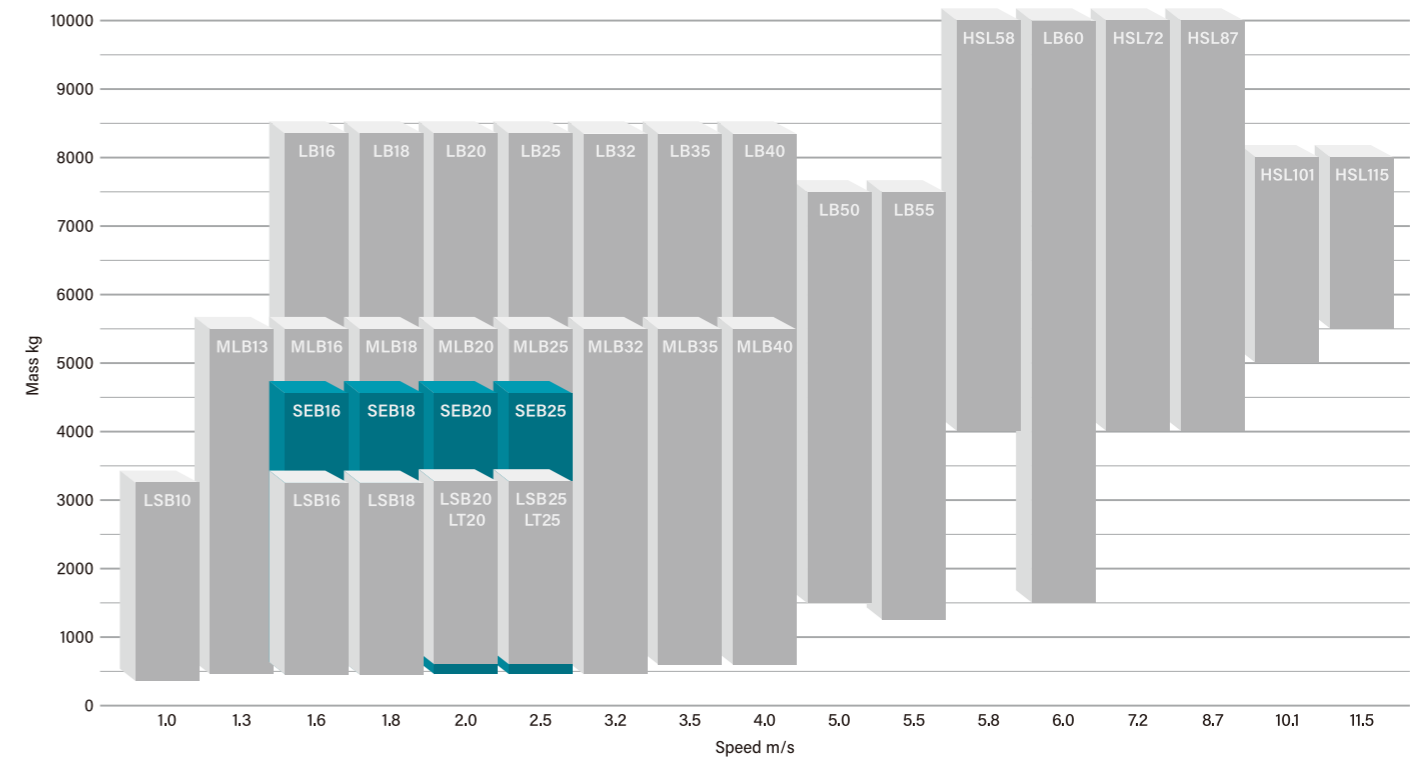
SEB Series

Model		SEB 16	SEB 18	SEB 20	SEB 25
Stroke 'S' (min.)	m	0.1730	0.2190	0.2790	0.4350
Height 'H' max. (extended)**	m	0.5400	0.6430	0.7770	1.1260
Height 'C' min. (compressed)**	m	0.3508	0.4078	0.4818	0.6748
Weight no oil (dry)	Kg	11.78	13.26	15.28	20.45
Oil volume	Litres	1.45	1.77	2.20	3.30

**The max and min figures provided take account of the extremes of the tolerance to provide absolute maximum and absolute minimum dimensions.



Range Overview



The MLB range of buffers incorporate gas spring technology and provide a premium, robust passenger safety solution for low to medium speed, mid mass elevators.

The MLB buffers are designed and manufactured according to strict engineering principles and are universally approved and globally certified.

Our MLB buffers are smaller and weigh considerably less than many alternatives. Moreover, the MLB13-32 units can be supplied oil filled which reduces the cost of logistics, saves time and reduces the risk of errors during installation.

Product features

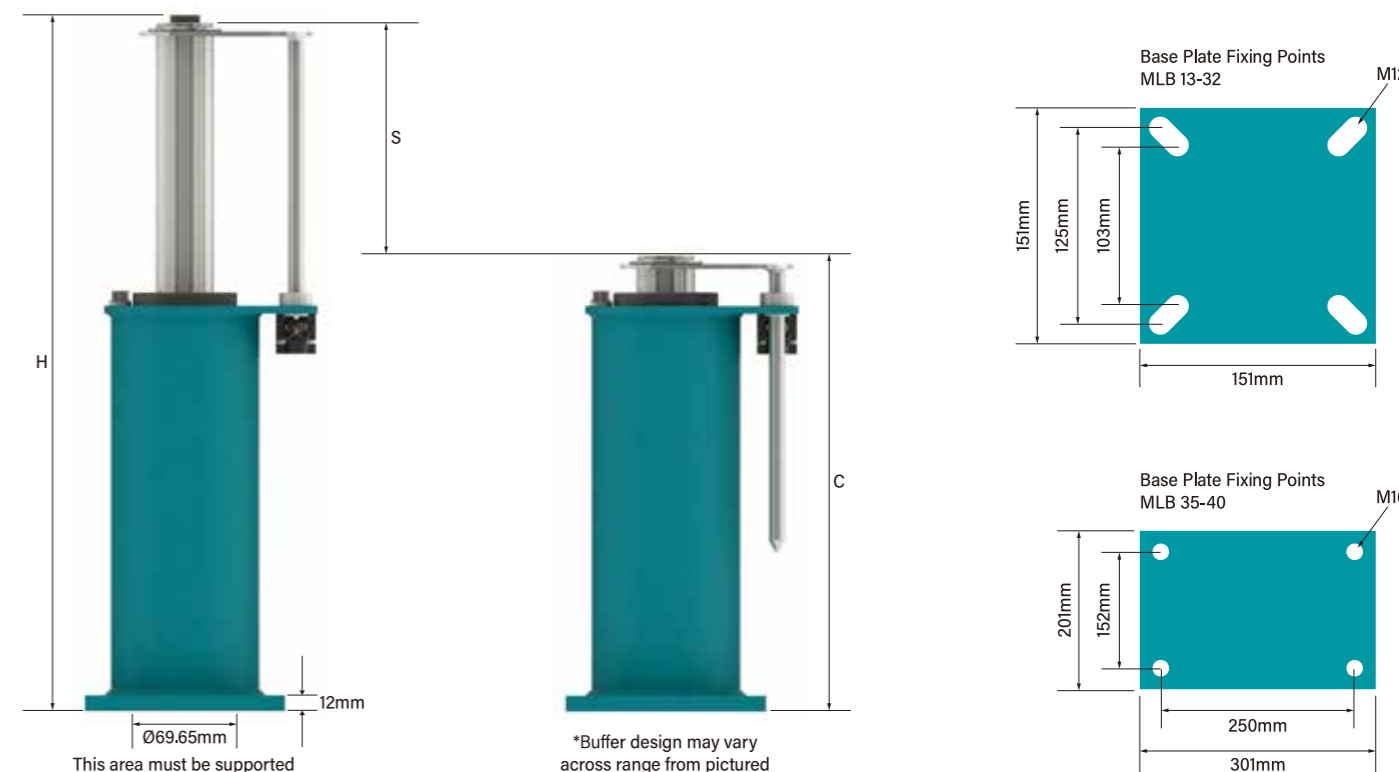
- Energy dissipation buffer
- Minimum G-force experience (increased passenger protection)
- Lowest possible compressed height for specified mass range
- Globally certified to EN81-20/50, ASME17.1, GB7588, EAC, KC
- Fully compliant with lift directive 2014/33/EU
- Wide mass range 450-5500 kg
- Self contained, maintenance free (except statutory inspections) unit
- Gas spring return
- All supporting documentation available online



MLB Series

Model		MLB 13	MLB 16	MLB 18	MLB 20	MLB 25	MLB 32	MLB 35	MLB 40
Stroke 'S' (min.)	m	0.1213	0.1743	0.2203	0.2803	0.4363	0.6803	0.8809	1.1409
Height 'H' max. (extended)**	m	0.4103	0.5323	0.6343	0.7823	1.1643	1.7305	2.1079	2.6929
Height 'C' min. (compressed)**	m	0.2754	0.3444	0.4004	0.4884	0.7144	1.0340	1.2093	1.5343
Weight no oil (dry)	kg	9.281	11.15	12.67	15.02	21.05	29.72	61.45	75.66
Oil volume	Litres	1.02	1.41	1.74	2.18	3.32	5.19	19.50	25.00

**The max and min figures provided take account of the extremes of the tolerance to provide absolute maximum and absolute minimum dimensions.

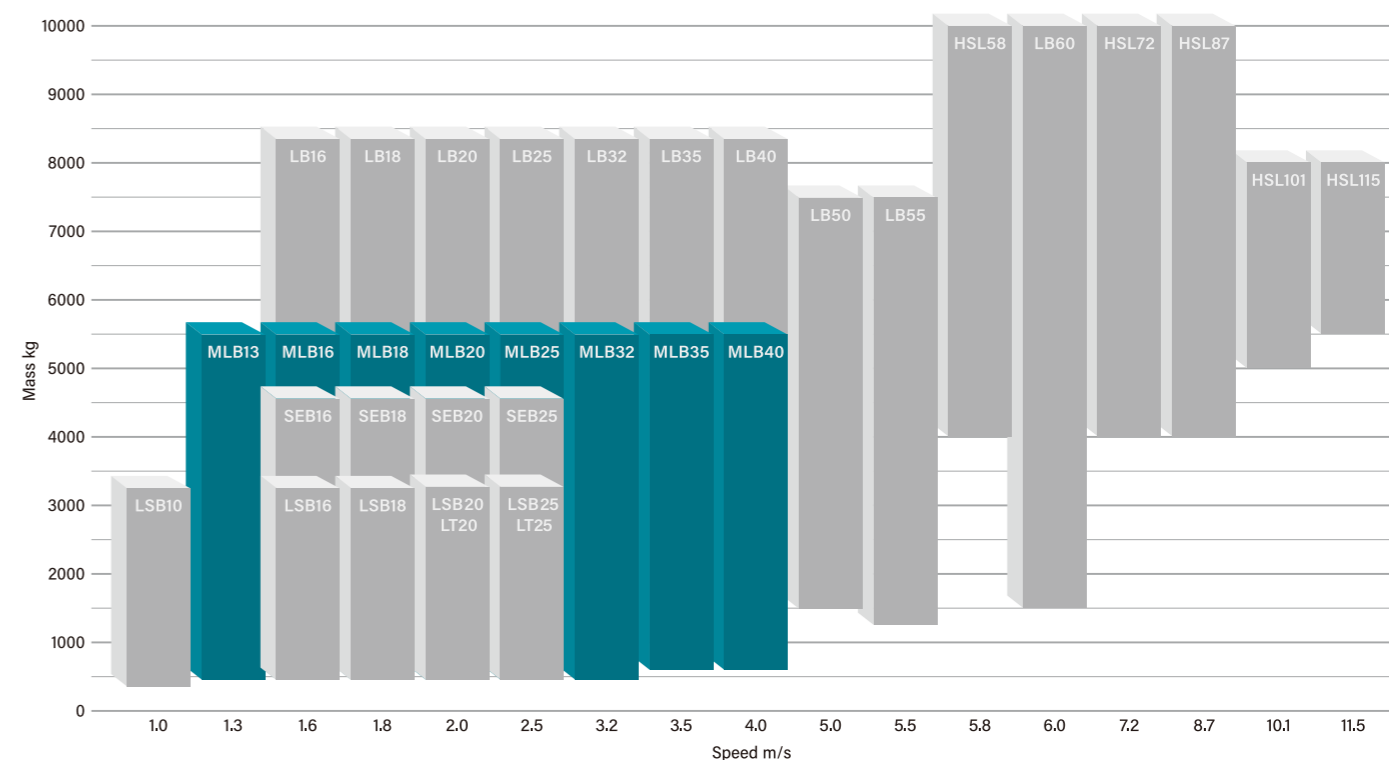


Model		MLB 13	MLB 16	MLB 18	MLB 20	MLB 25	MLB 32	MLB 35	MLB 40
Rated speed	m/s	1.300	1.600	1.800	2.030	2.540	3.150	3.560	4.060
Impact mass range	kg	450-5500	450-5500	450-5500	450-5500	450-5500	450-5500	600-5500	600-5500

- Passenger
- Express
- Commercial
- Modernisation
- Freight
- Vehicle
- Special Applications



Range Overview



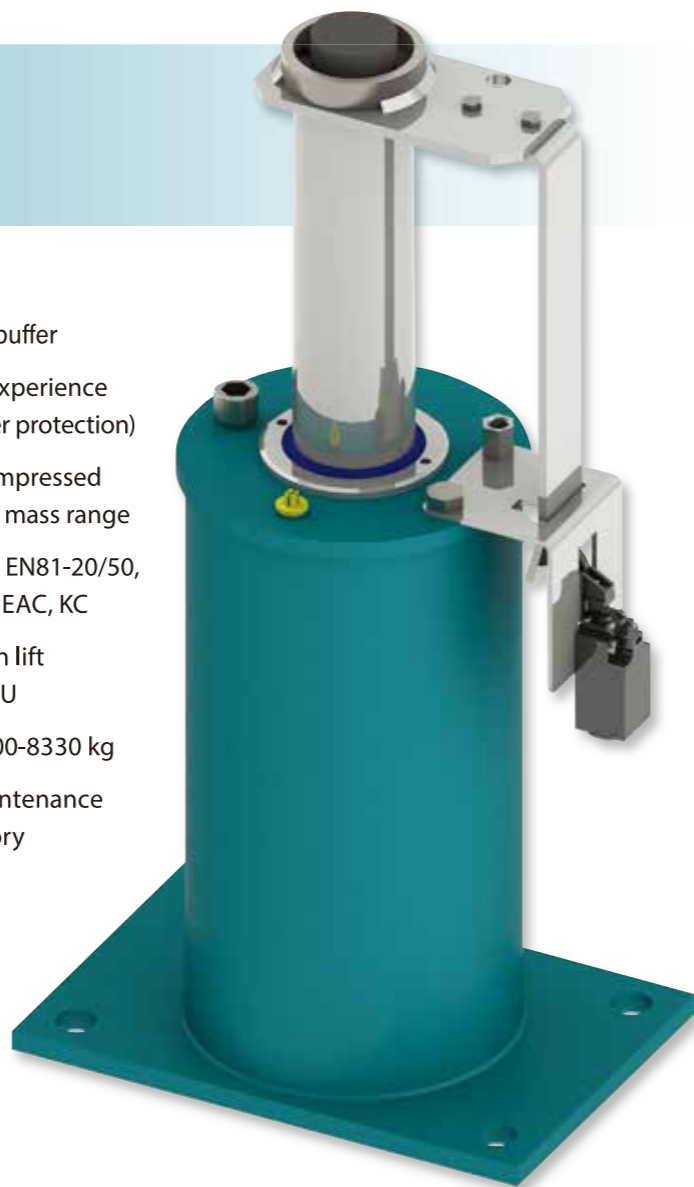
The LB buffer range incorporates gas spring technology to provide a premium and robust passenger safety solution for medium to high speed, high mass elevators.

The units are designed and manufactured according to strict engineering principles and are universally approved and globally certified.

LB buffers can be shipped in a compressed condition to save space and reduce transportation costs. The units have been installed into thousands of landmark buildings since they were introduced more than 30 years ago.

Product features

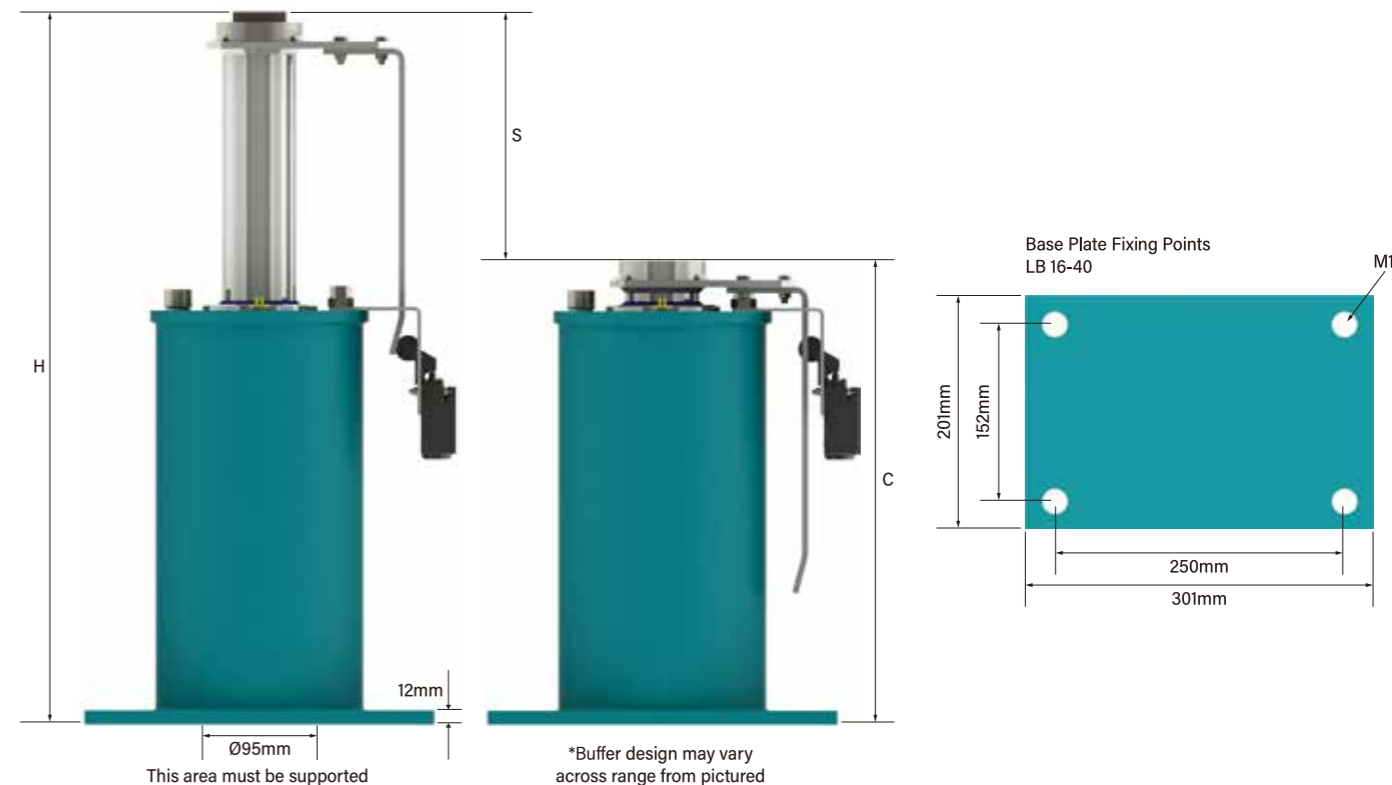
- Energy dissipation buffer
- Minimum G-force experience (increased passenger protection)
- Lowest possible compressed height for specified mass range
- Globally certified to EN81-20/50, ASME17.1, GB7588, EAC, KC
- Fully compliant with lift directive 2014/33/EU
- Wide mass range 500-8330 kg
- Self contained, maintenance free (except statutory inspections) unit
- Gas spring return
- All supporting documentation available online



LB Series

Model		LB 16	LB 18	LB 20	LB 25	LB 32	LB 35	LB 40
Stroke 'S' (min.)	m	0.2032	0.2489	0.2999	0.4619	0.6989	0.8809	1.1409
Height 'H' max. (extended)**	m	0.6166	0.7229	0.8389	1.2109	1.7059	2.1079	2.6929
Height 'C' min. (compressed)**	m	0.3973	0.4563	0.5213	0.7313	0.9893	1.2093	1.5343
Weight no oil (dry)	Kg	25.54	28.12	30.96	40.14	54.93	65.46	80.69
Oil volume	Litres	4.62	5.58	6.64	10.00	20.00	24.50	31.50

**The max and min figures provided take account of the extremes of the tolerance to provide absolute maximum and absolute minimum dimensions.

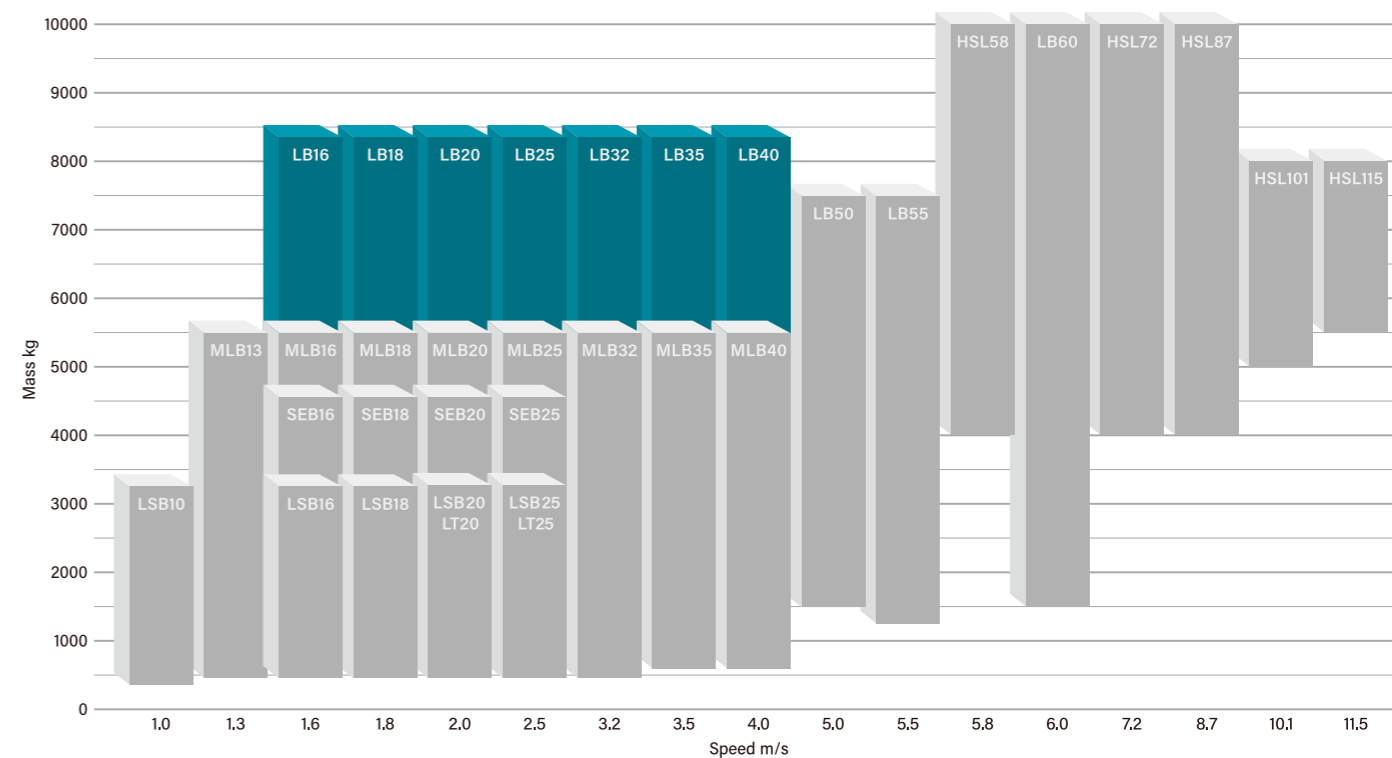


Model		LB 16	LB 18	LB 20	LB 25	LB 32	LB 35	LB 40
Rated speed	m/s	1.600	1.800	2.032	2.540	3.150	3.560	4.064
Impact mass range	kg	500-8330	500-8330	500-8330	500-8330	700-8330	1000-8330	1000-8330

- Passenger
- Express
- Commercial
- Modernisation
- Freight
- Vehicle
- Special Applications



Range Overview



The Oleo XLB range of gas hydraulic buffers is designed specifically for high rise buildings where elevator speeds reach up to 10m/s (using approved speed limiting devices).

The Oleo principle of designing self contained, maintenance free (other than statutory inspections) buffers is applied to the XLB range and ensures an easy installation process and the best safety buffer solution throughout the service life of the elevator.

The units are designed and manufactured according to strict engineering principles and are universally approved and globally certified.

Product features

- Energy dissipation buffer
- Minimum G-force experience (increased passenger protection)
- Lowest possible compressed height for specified mass range
- Globally certified to EN81-20/50, ASME17.1, GB7588, EAC, KC
- Fully compliant with lift directive 2014/33/EU
- Wide mass range 1250-10000 kg
- Self contained, maintenance free (except statutory inspections) unit
- Gas spring return
- All supporting documentation available online

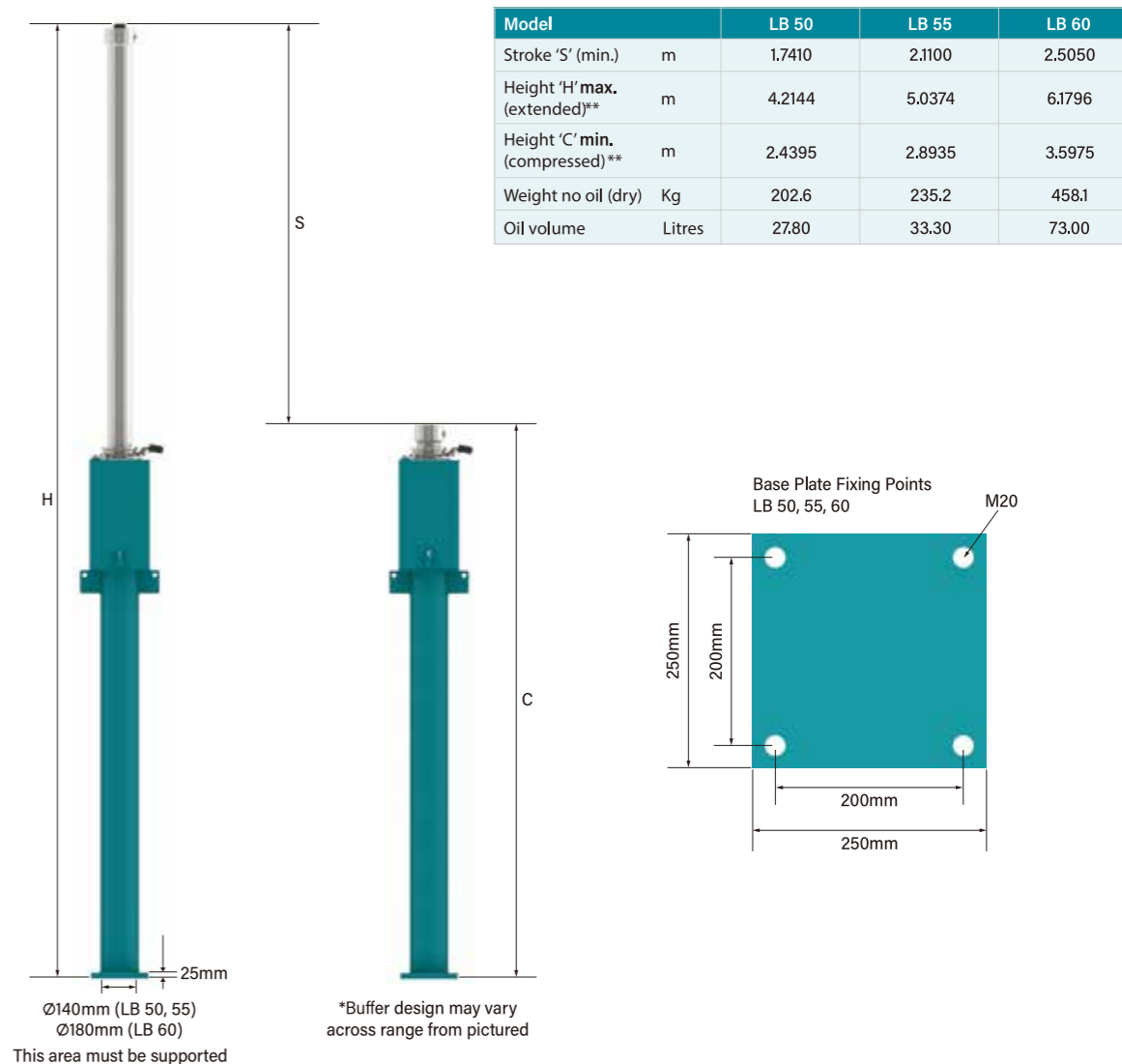


Model		LB 50	LB 55	LB 60
Rated speed	m/s	5.080	5.588	6.096
Impact mass range	kg	1500-7500	1250-7500	1500-10000

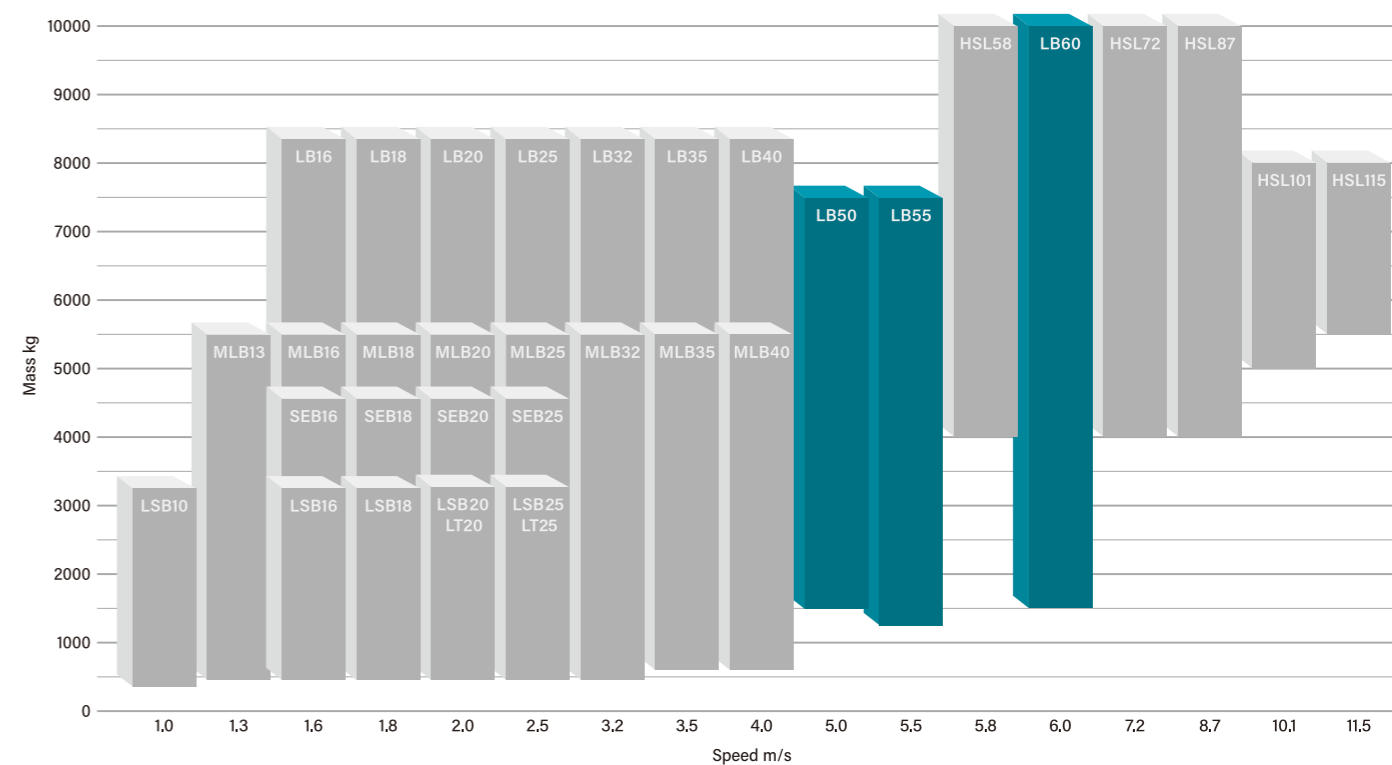
- Passenger
- Express
- Commercial
- Modernisation
- Freight
- Vehicle
- Special Applications



XLB Series



Range Overview



The HSL range of units was developed for ultra high speed elevators that are designed for the world's tallest and most prestigious buildings. The range is suitable for elevators travelling up to and in excess of 20m/s (using approved speed limiting devices) and the buffers utilise a telescopic design to ensure space at the top and bottom of the elevator shaft can be used effectively.

The more compact design also makes the units ideal for use in premium modernisation projects where elevators with higher speeds are installed into buildings where space restrictions from the original installation remain in place.

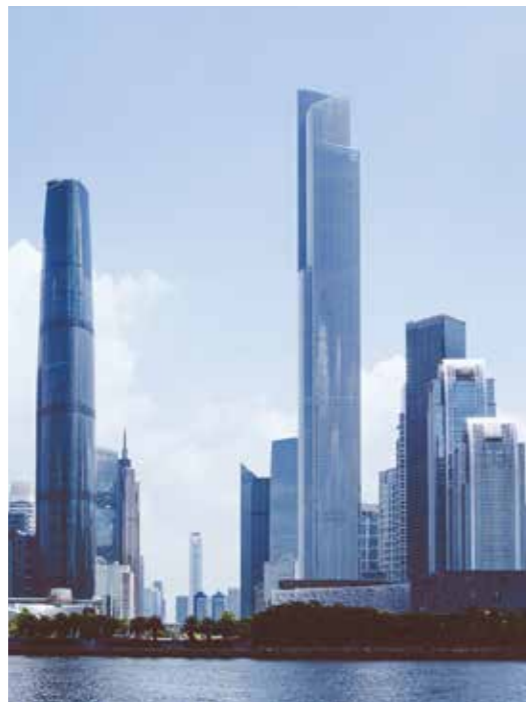
The units are designed and manufactured according to Oleo's strict engineering principles and are approved and can be specifically certified to suit each project location.

Product features

- Energy dissipation buffer
- Minimum G-force experience (increased passenger protection)
- Lowest possible compressed height for specified mass range
- Fully compliant with lift directive 2014/33/EU
- Wide mass range 4000-10000 kg
- Gas spring return
- Multistage telescopic dissipation system
- Minimum possible extended height
- All supporting documentation available online

Model		HSL 58	HSL 72	HSL 87	HSL 101	HSL 115
Rated speed	m/s	5.850	7.250	8.700	10.101	11.550
Impact mass range	Kg	4000-10000	4000-10000	4000-10000	5000-8000	5500-8000

- Passenger
- Express
- Commercial
- Modernisation
- Freight
- Vehicle
- Special Applications

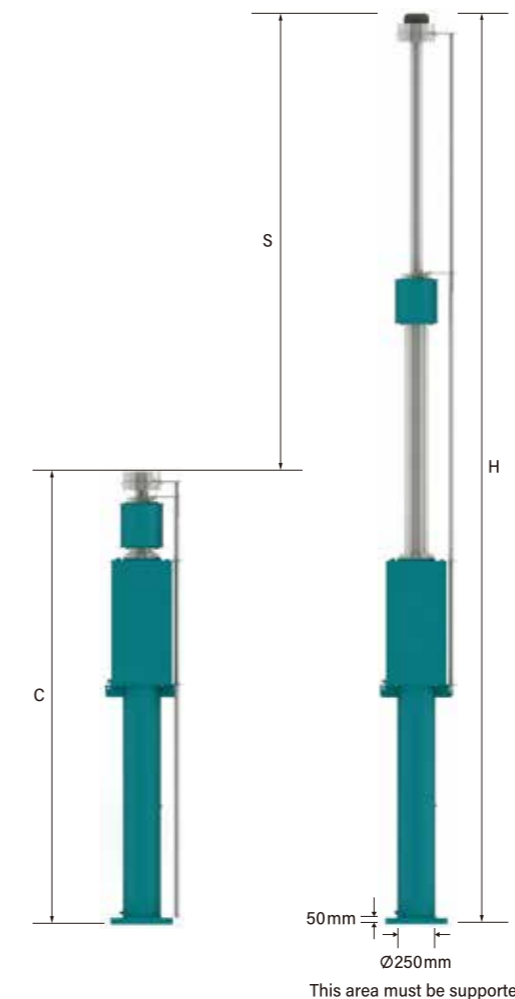
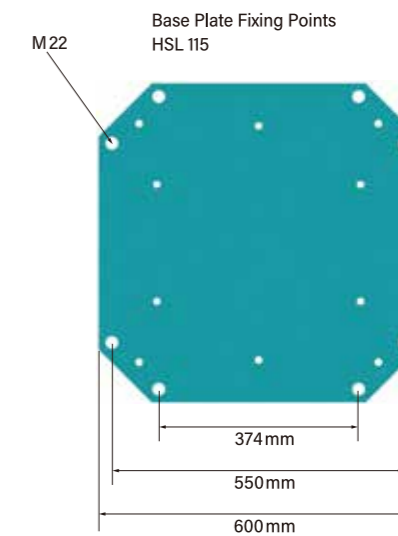
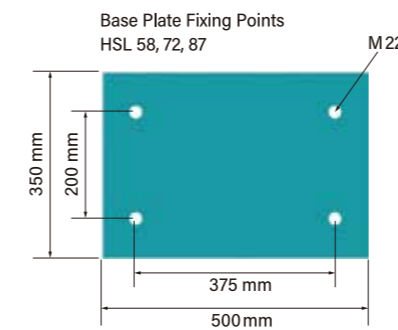


HSL Series

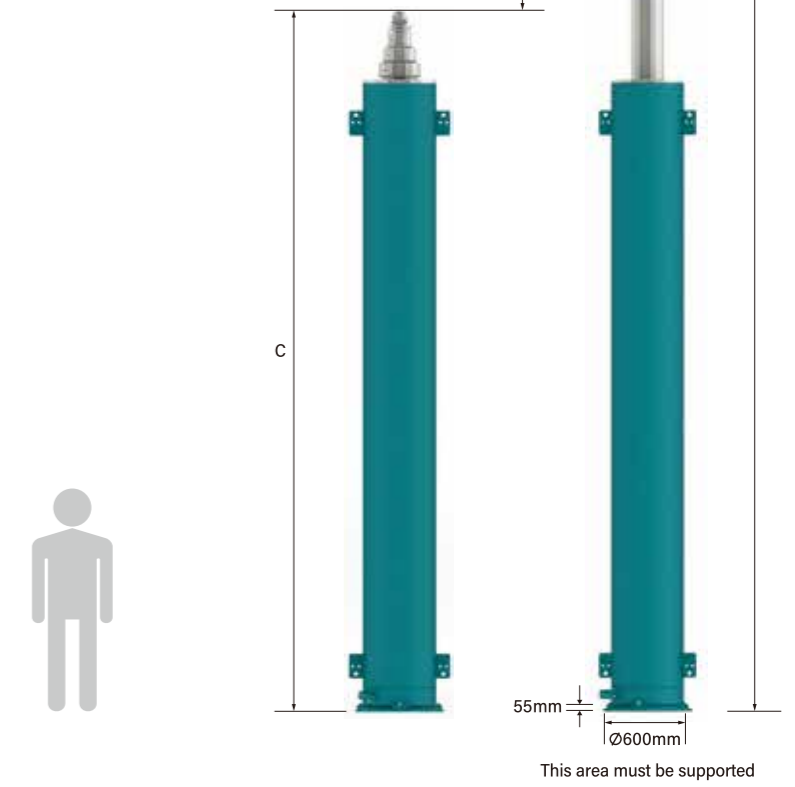
Model		HSL 58	HSL 72	HSL 87	HSL 101	HSL 115
Stroke 'S' (min.)	m	2.3420	3.6448	5.1920	6.9730	9.1264
Height 'H' max. (extended)**	m	4.9655	7.4147	10.2950	12.5700	14.9190
Height 'C' min. (compressed)**	m	2.5225	3.6725	5.1835	4.1830	5.7011
Weight no oil (dry)	Kg	779	1249	1450	3000	3497
Oil volume	Litres	98	144	207	275	490

*Buffer design may vary across range from pictured

**The max and min figures provided take account of the extremes of the tolerance to provide absolute maximum and absolute minimum dimensions.



HSL 72



HSL 115